



## CH-9777-1 & CH-9778-3L Fence Mount Bottle Holder Kit Assembly Instructions for Installation

### Calf-Tel 2 Qt. Fence Mount Bottle Holder Kit Bill of Material:

Item	Item Number	Description	Qty
1	CH-3002-1	2 Qt. Bottle Holder Wire Cradle	1
2	CH-3223-1	Plastic Face Plate	1
3	CH-3003-2	U-Shaped Wire Support Bracket	1
4	PH-5020	Wing Nut	1

### Calf-Tel 3/4 Qt. Fence Mount Bottle Holder Kit Bill of Material:

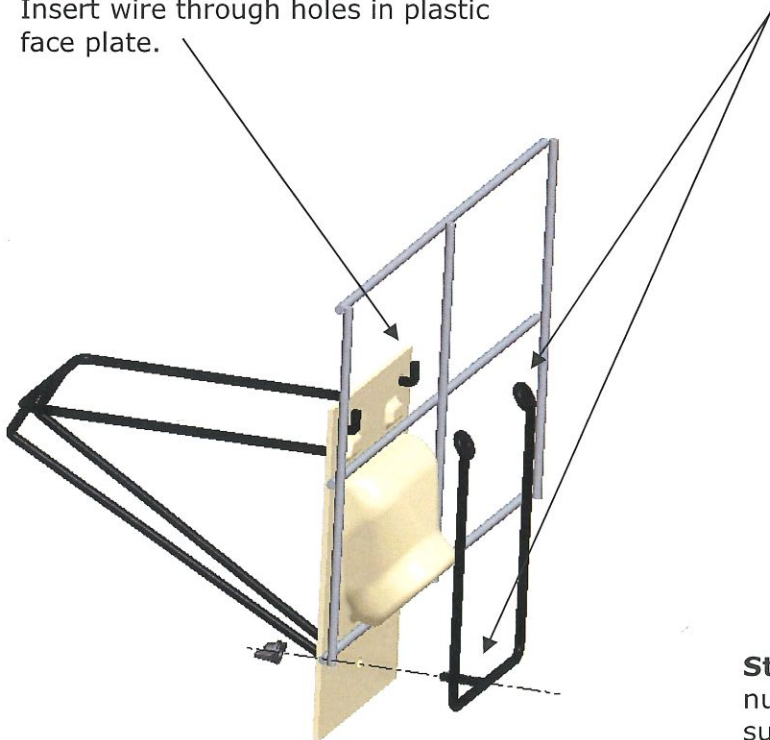
Item	Item Number	Description	Qty
1	CH-3004	Bottle Holder Wire Cradle	1
2	CH-3223-1	Plastic Face Plate	1
3	CH-3003-2	U-Shaped Wire Support Bracket	1
4	PH-5020	Wing Nut	1

#### Installation Instructions:

##### Step 1: Attach Bottle Holder Wire to Plastic Face Plate:

Insert wire through holes in plastic face plate.

**Step 2: Assemble to Fence:** Align face plate to opening in fence. Insert bottle holder wires through fence, into u-shaped wire support bracket holes. Threaded stud at bottom of u-shaped wire support bracket should be inserted through the lower hole on the face plate.



**Step 3: Fasten to Fence:** Tighten wing nut onto stud at base of u-shaped wire support bracket.